
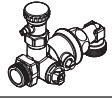
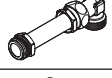

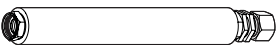
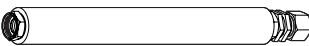
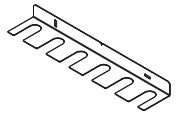


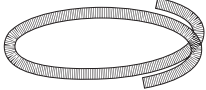
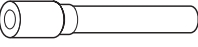

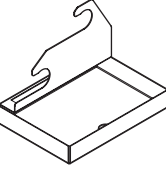



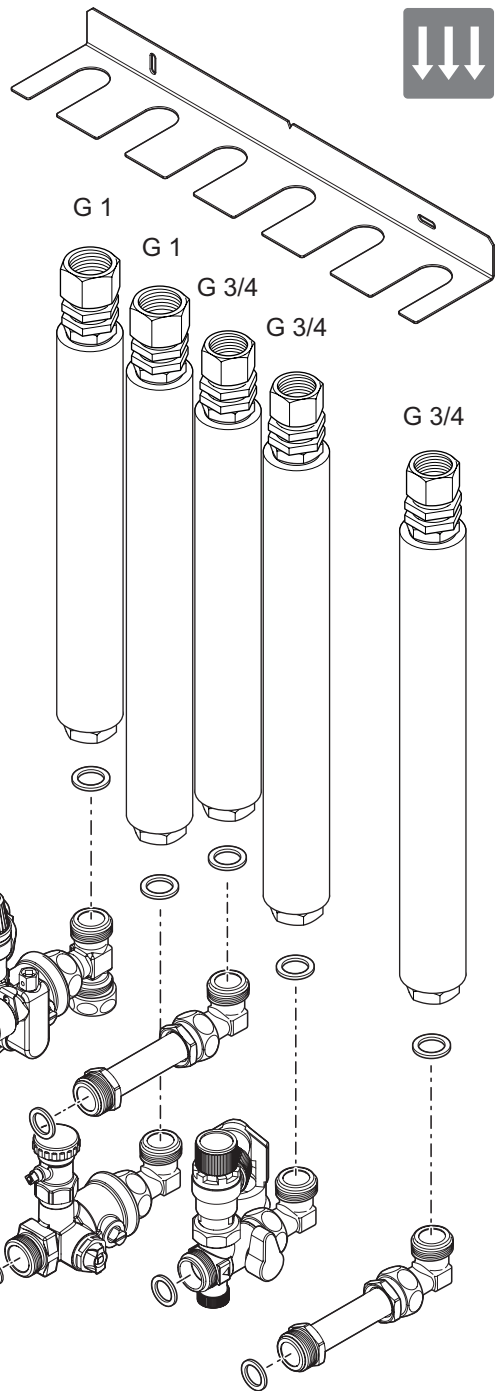
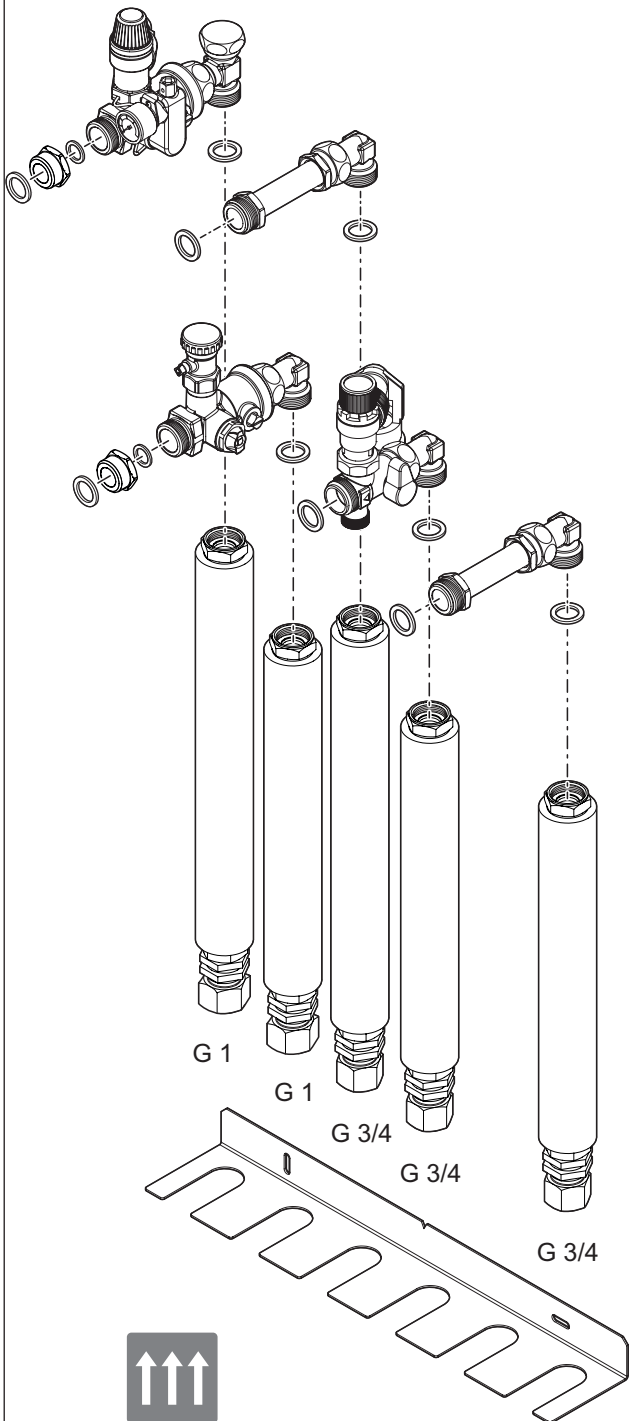
0020221267



	1 x
	1 x
	2 x
	1 x
	2 x 300 mm
	3 x 350 mm
	1 x
	2 x
	16 x
	2 x
	1 x
	1 x
	1 x
	2 x

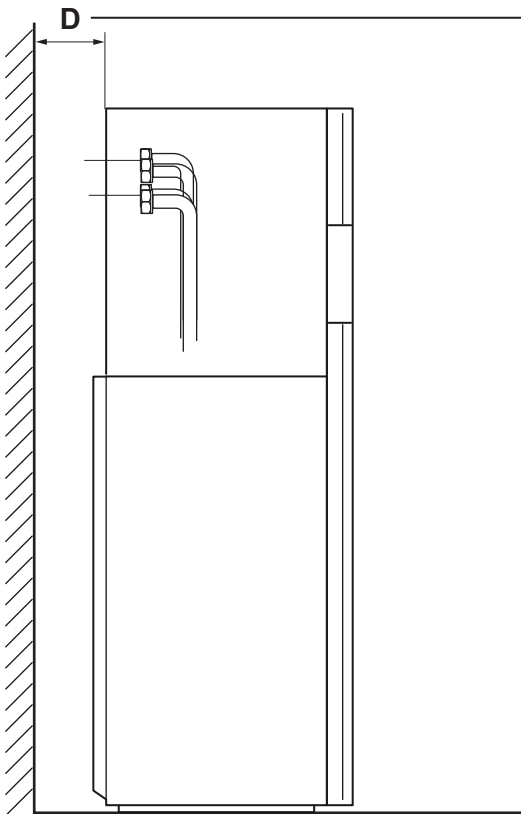
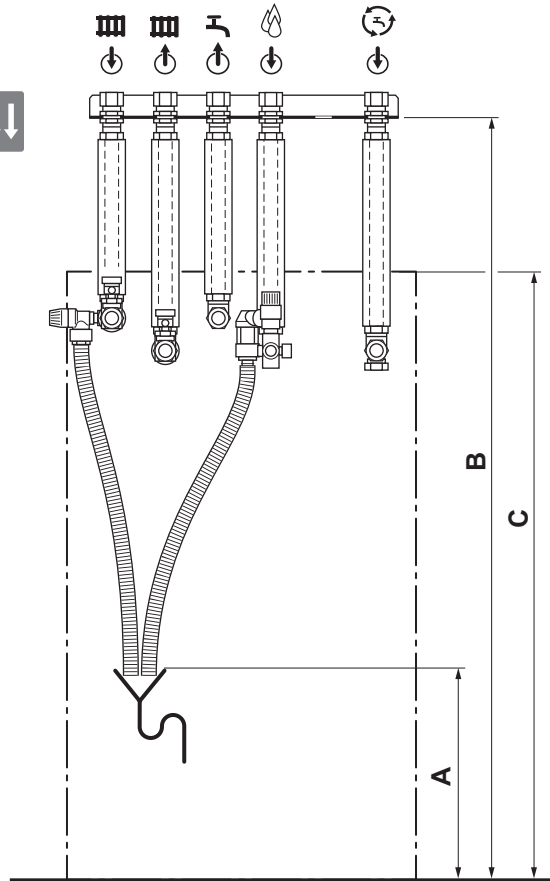
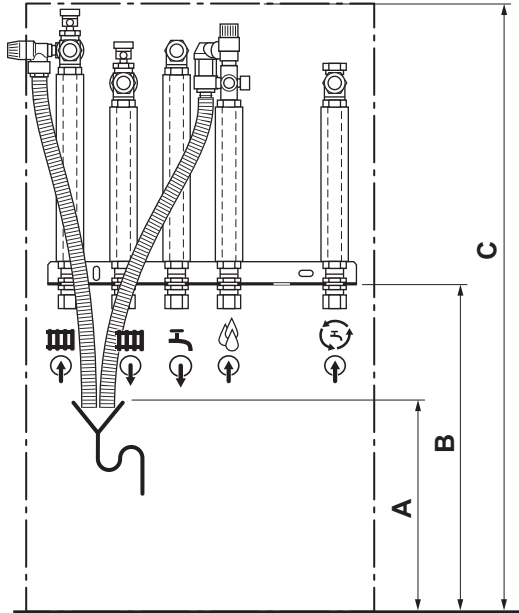


1

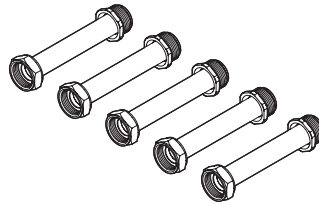




2



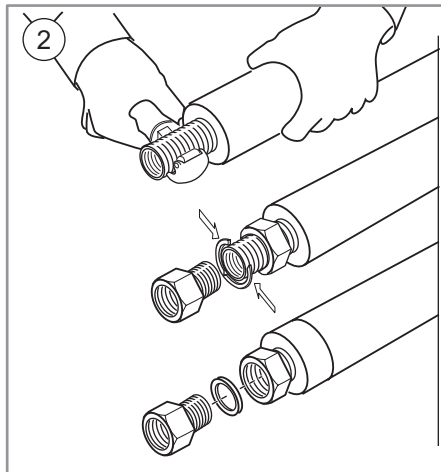
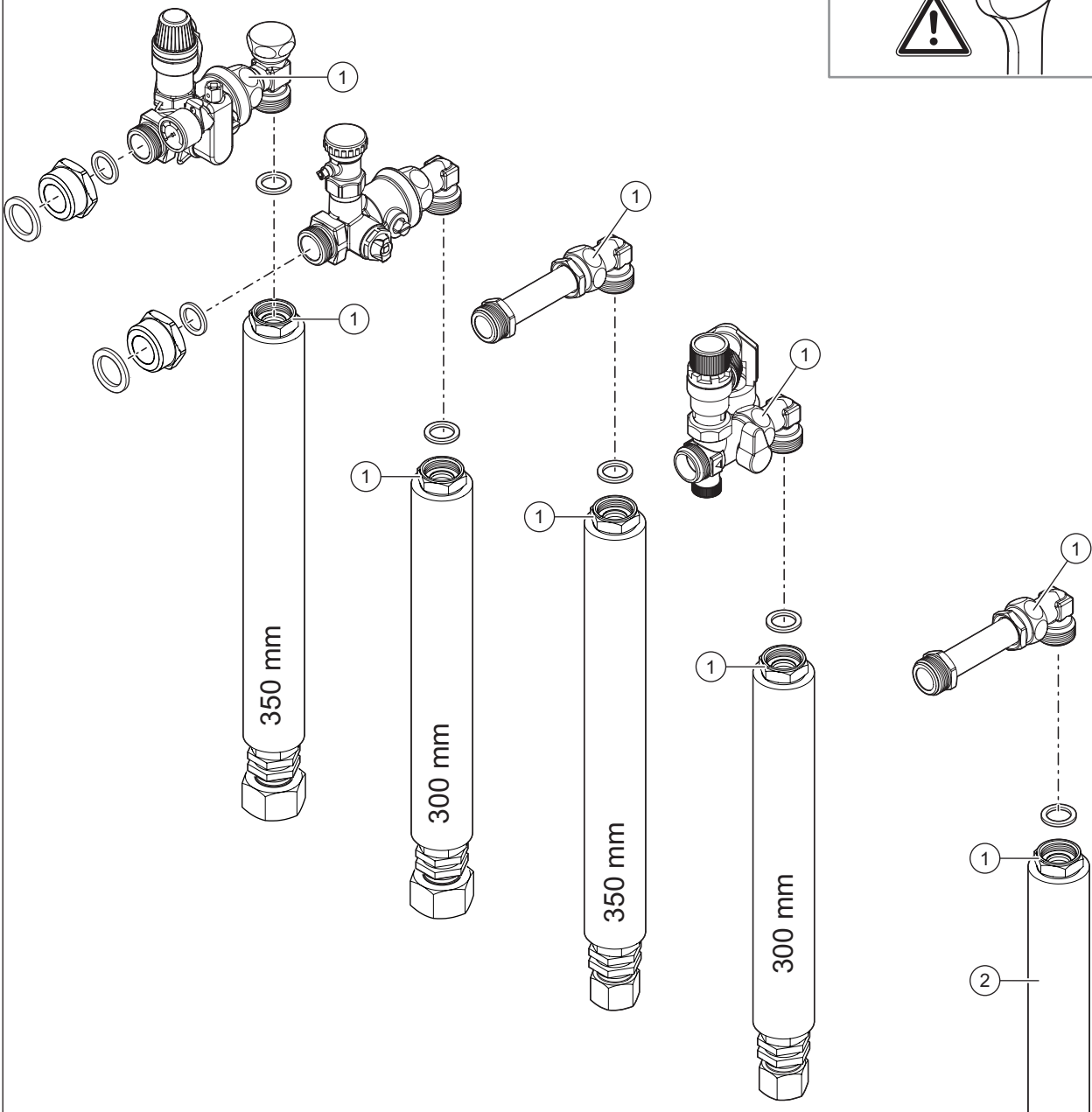
+ 120 mm: 0020170504



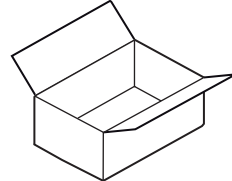
A [mm]	B [mm]		C [mm]		D [mm]	
< 950	1450	2190	1750 - 1980		80 - 160	45 - 100



1a

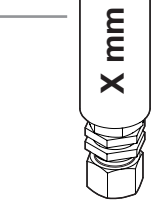


! X mm



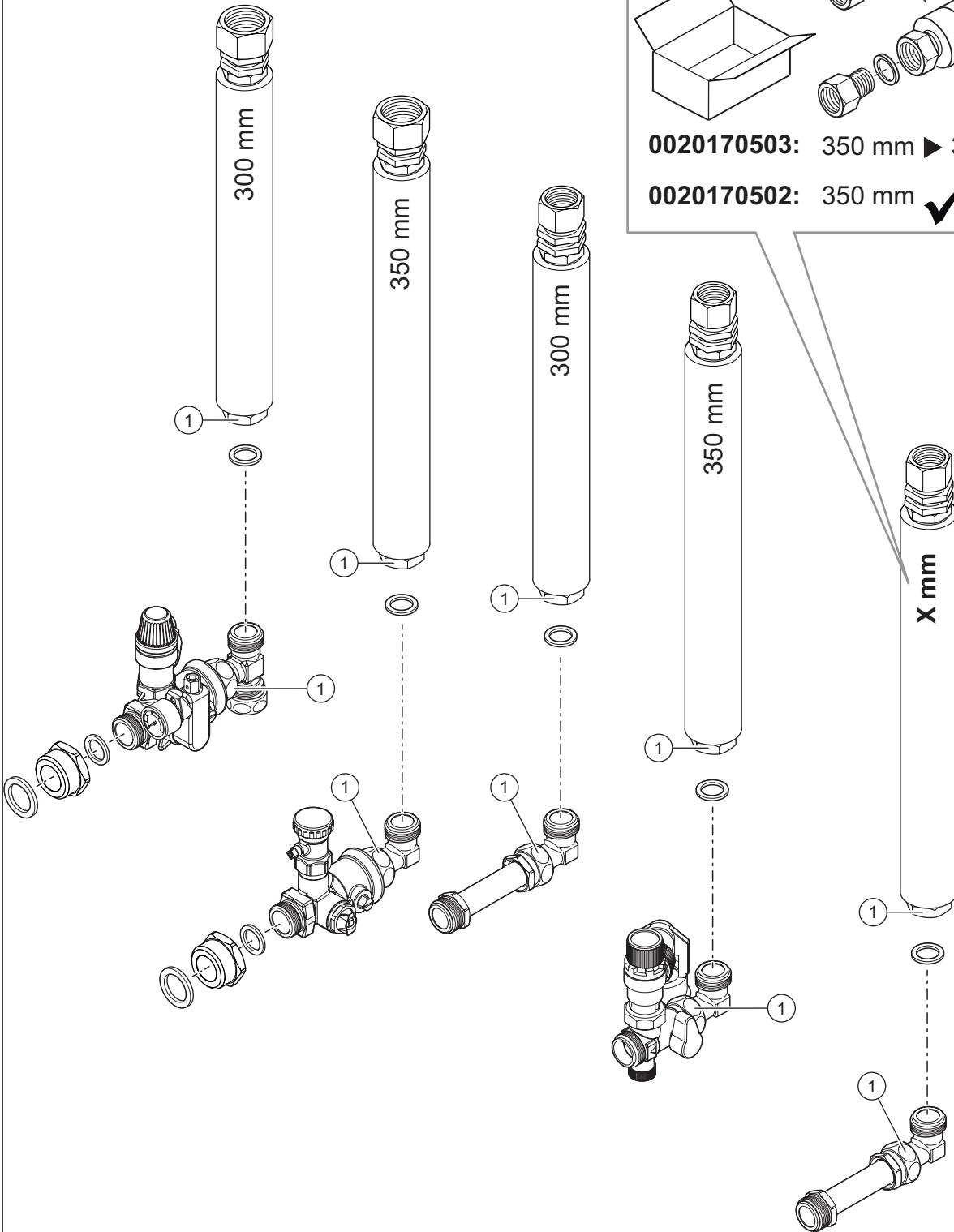
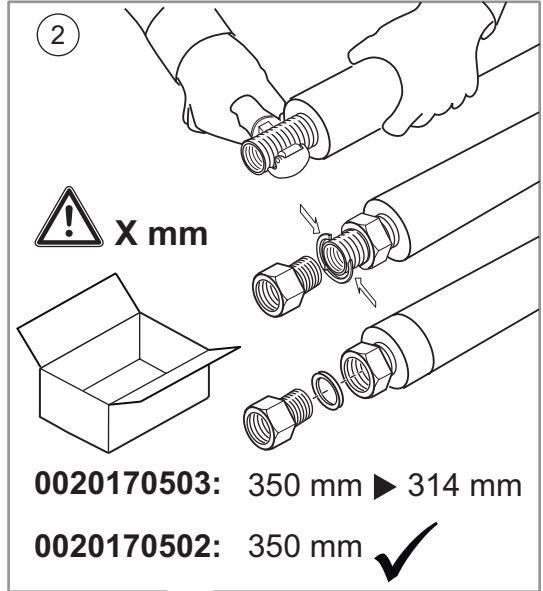
0020170503: 350 mm ► 336 mm

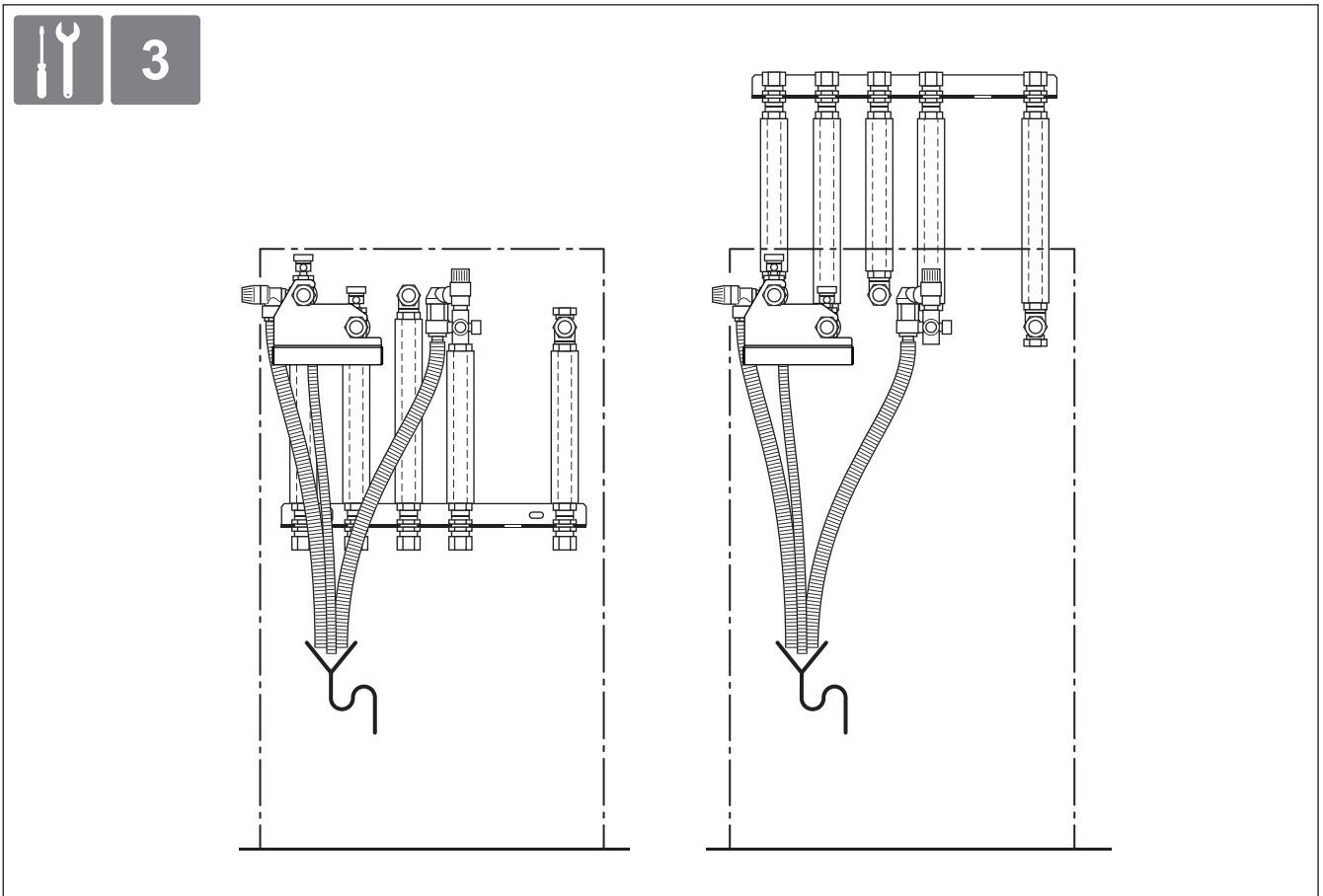
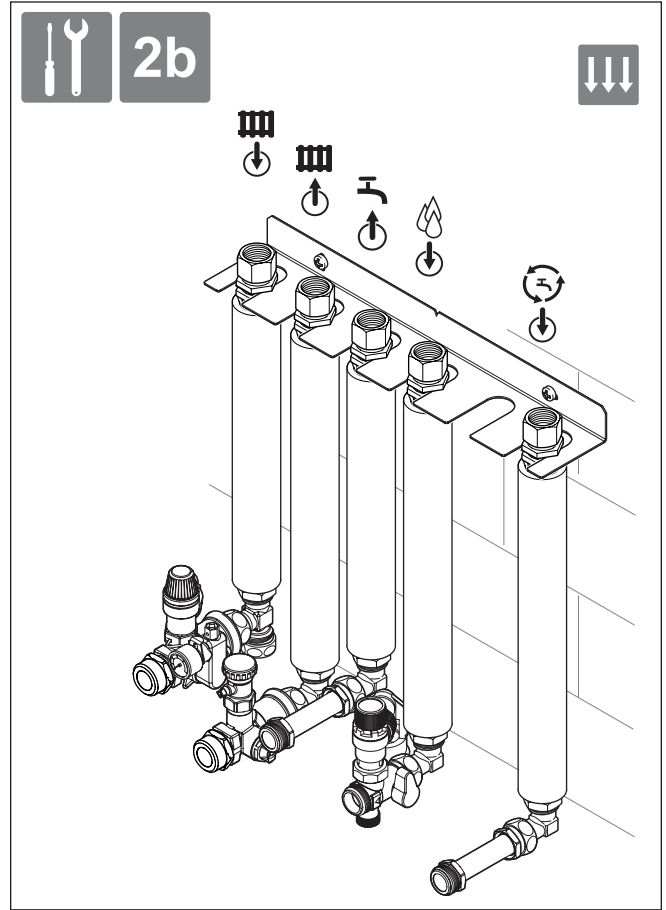
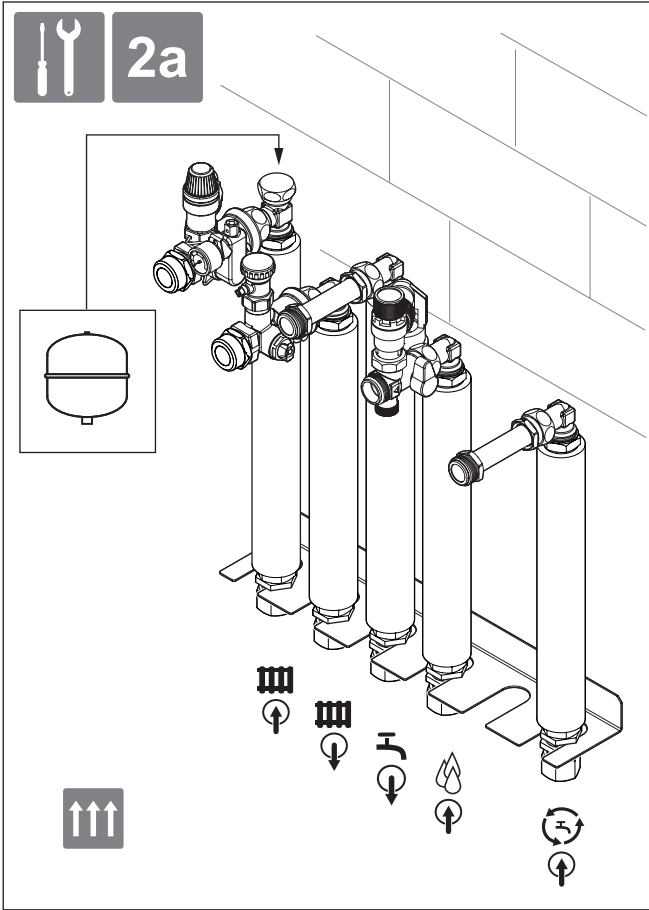
0020170502: 350 mm ► 300 mm

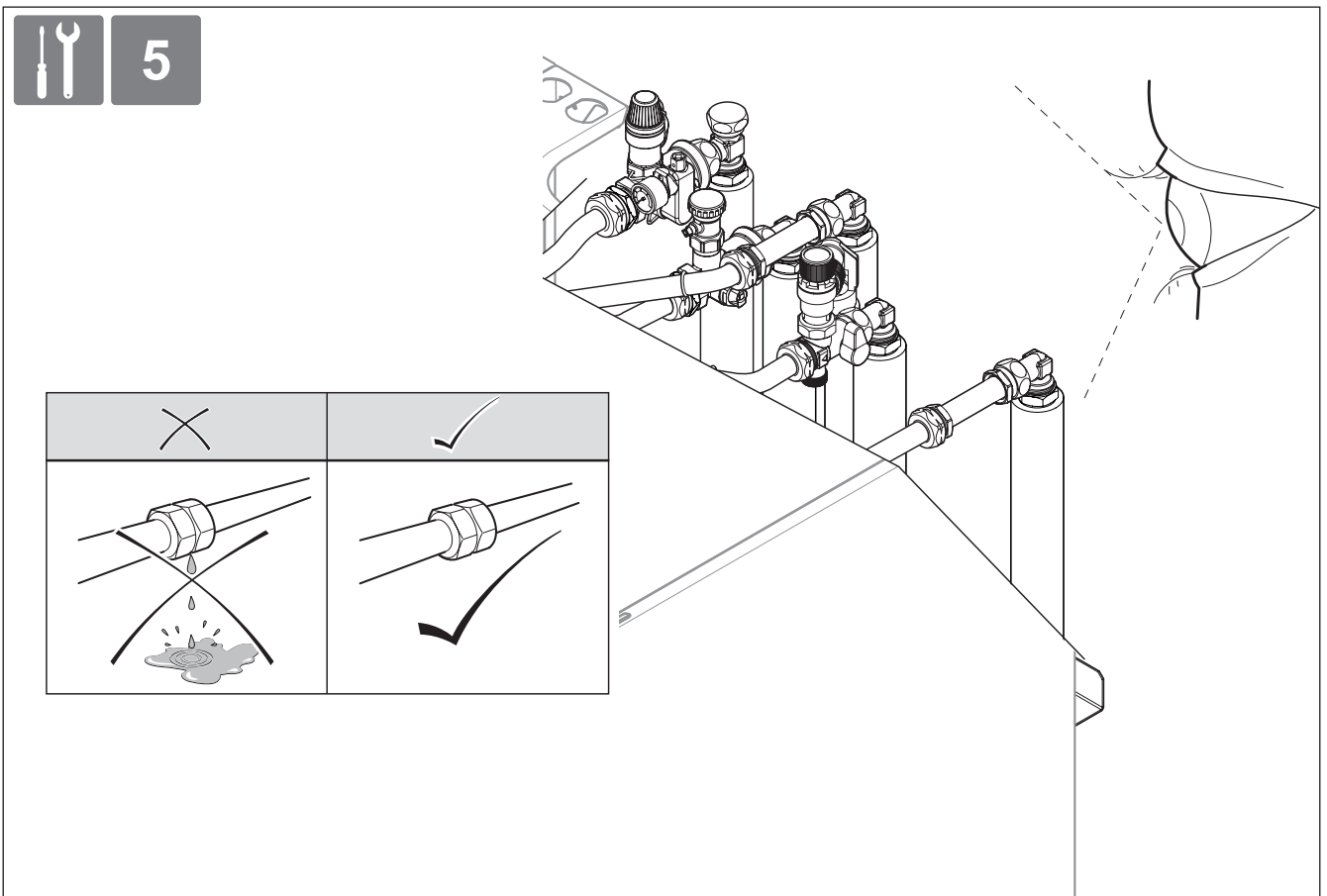
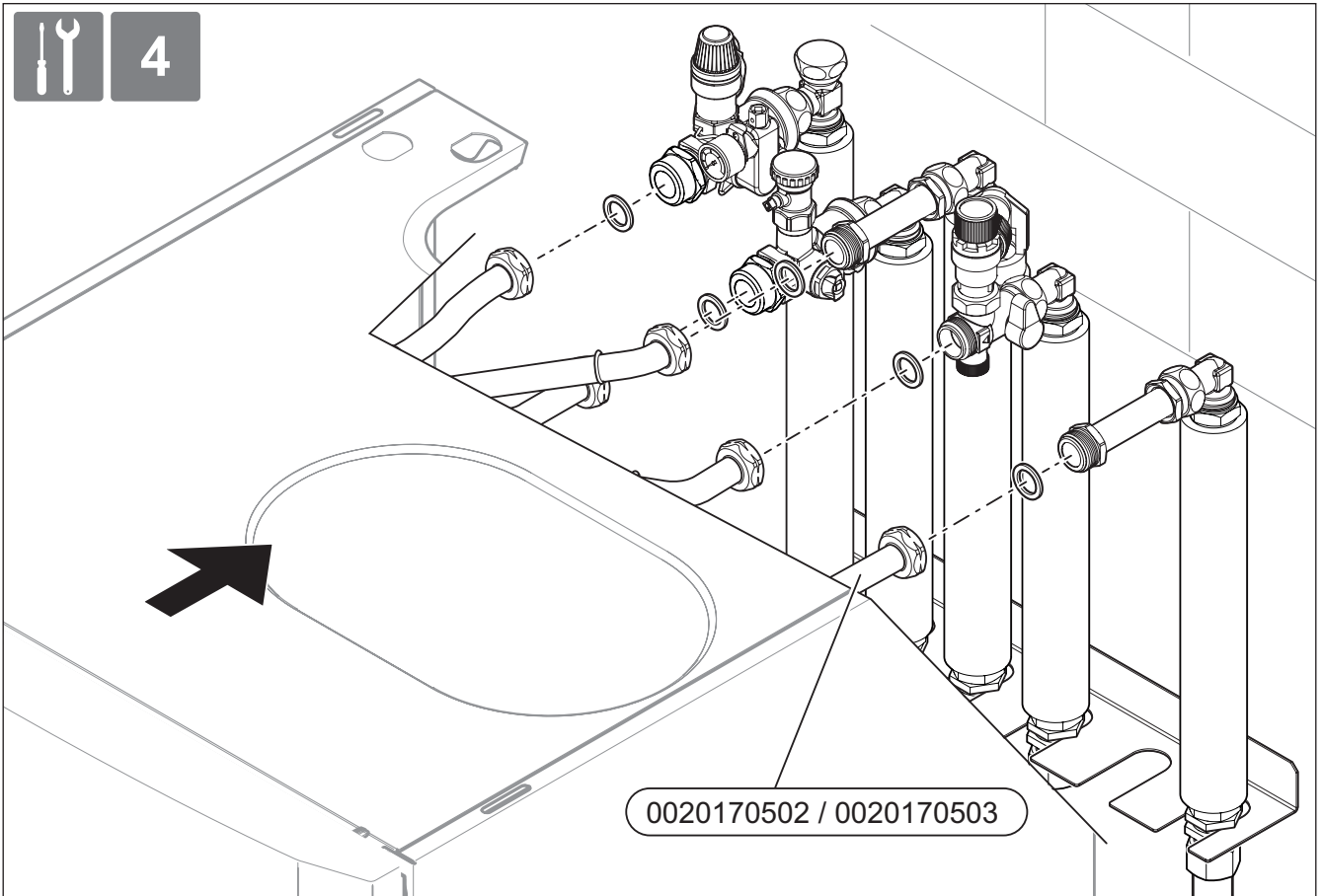




1b

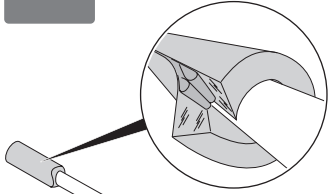




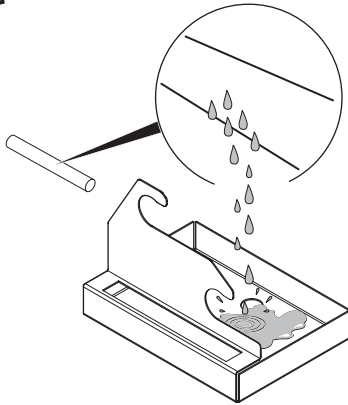




6

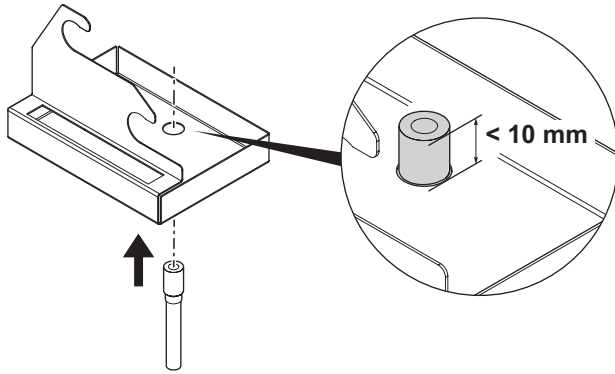


(D) → EnEV



→ I. + II.

I.



II.

